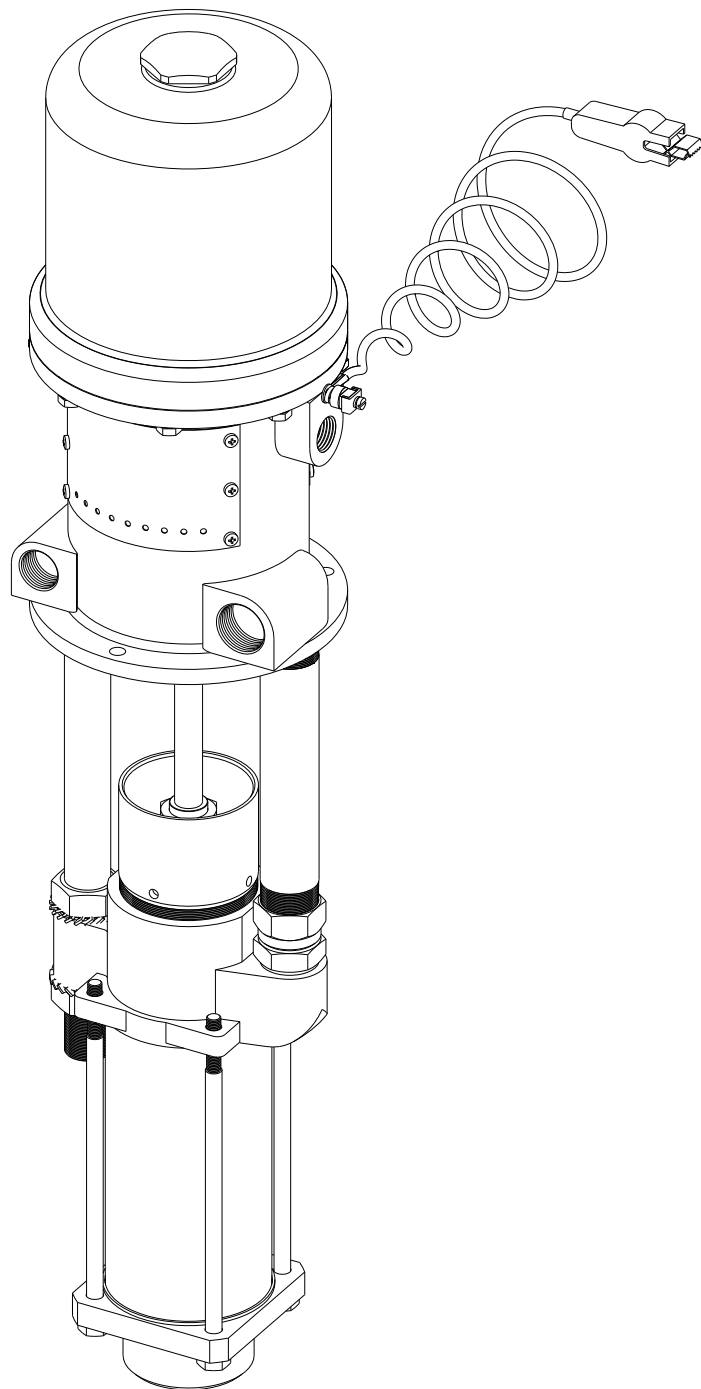




INSTRUCTIONS AND PARTS LIST

This instruction manual contains IMPORTANT WARNINGS AND INSTRUCTION THAT MUST BE READ BEFORE OPERATING THE PUMP

TEL 3:1



INDEX

Warnings	1
Pressure relief procedure	1
Parts list	2
Air motor + Displacement pump	3&4
Operation	5
Maintenance	5
Troubleshooting guide	6

WARNING

General Safety

Any misuse of the equipment or accessories, such as overpressurizing, modifying parts, using incompatible chemicals and fluids, or using worn or damaged parts, can cause them to rupture and result in serious bodily injury, such as splashing fluid in the eyes or on the skin, fire, explosion, or property damage.

Never alter or modify any part of this equipment; doing so could cause it to malfunction.

Check all equipment regularly and repair or replace worn or damaged parts immediately.

This pump can develop 25 bar (360 psi). Be sure that all equipment and accessories are rated to withstand the maximum working pressure of this pump. Do not exceed the maximum working pressure of any component or accessory used in the system.

Fire or Explosion hazard

Static electricity is created by the flow of fluid through the pump and hose. If every part of the equipment is not properly grounded, sparking may occur, and the system may become hazardous. Sparking may also occur when plugging in or unplugging a power supply cord. Sparks can ignite fumes from solvent and the fluid being sprayed, dust particles and other flammable substances, and can cause fire or explosion and serious bodily injury and property damage.

If you experience any static sparking or even a slight shock while using this equipment, stop spraying immediately. Check the entire system for proper grounding. Do not use the system again until the problem has been identified and corrected.

PRESSURE RELIEF PROCEDURE

To reduce the risk of serious bodily injury, including splashing in the eyes or on the skin, or injury from moving parts, always follow this procedure whenever you shut off the pump, when checking or servicing any part of the system, when installing, cleaning or changing nozzles, and whenever you stop dispensing.

- 1.- Shut off the air to the pump.
- 2.- Close the bleed-type master air valve.
- 3.- Hold a metal part of the gun firmly to the side of a grounded metal pail, and trigger the gun to relieve pressure.
- 4.- Open the drain valve, having a container ready to catch the drainage.
- 5.- Leave the drain valve open until you are ready to dispense again.

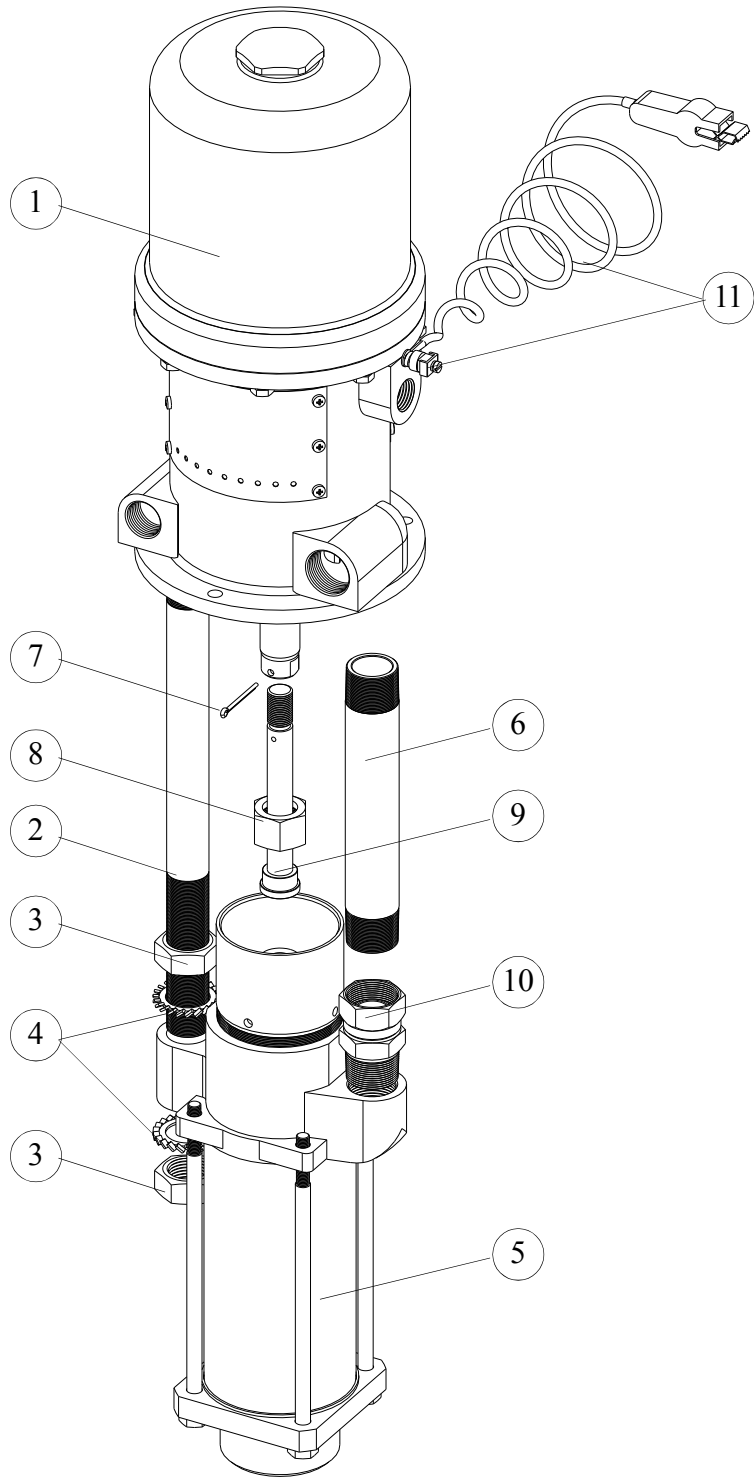
If you suspect that the nozzle or hoses is completely clogged, or that pressure has not been fully relieved after following the steps above, very slowly loosen the fluid tip lockring or hose end coupling and relieve pressure gradually, then loosen completely. Now clear the tip or hose.

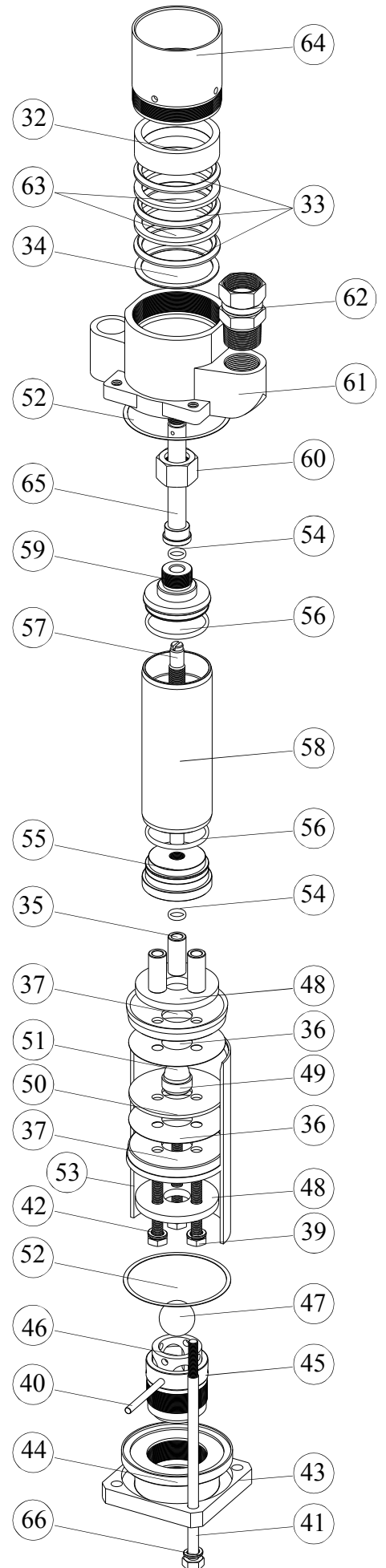
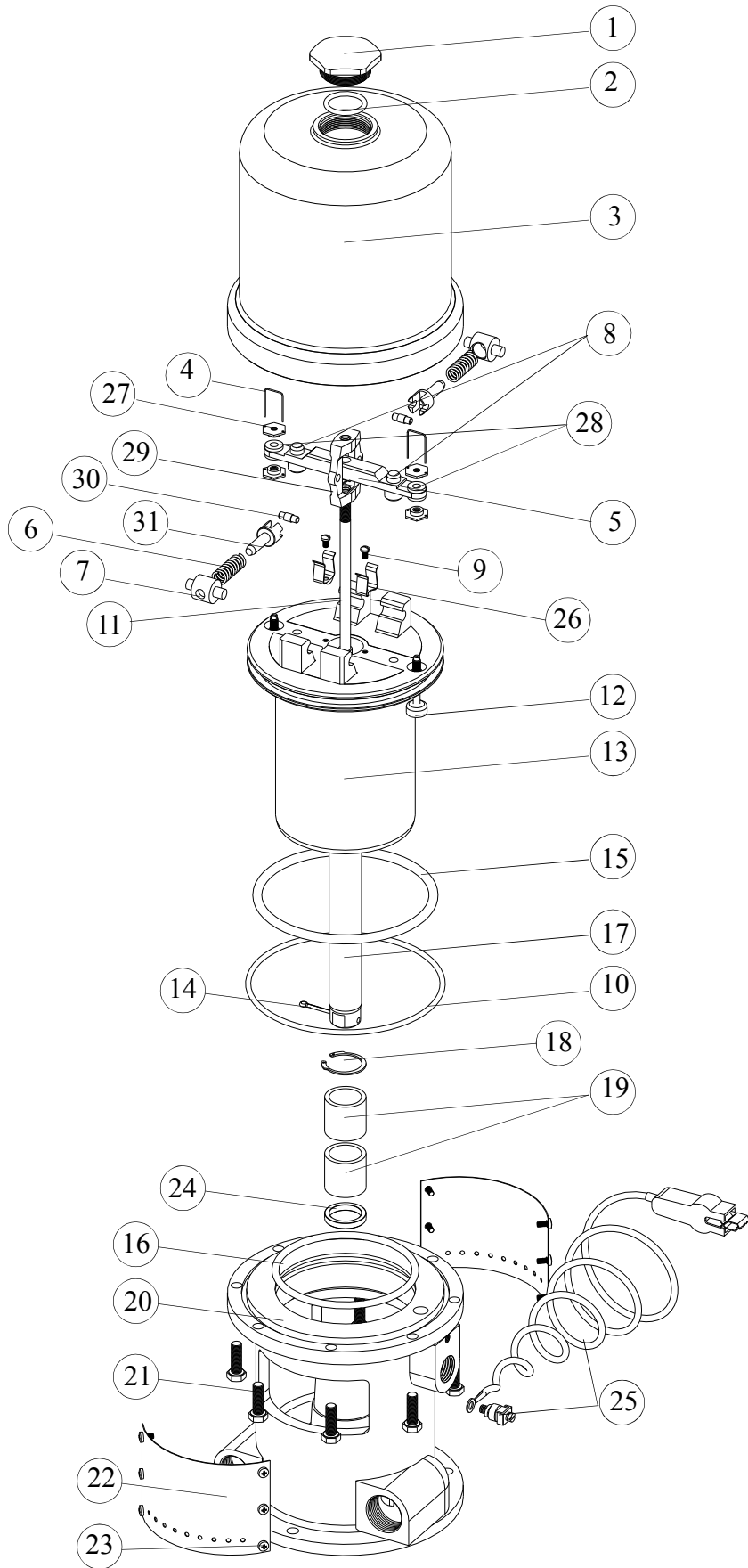
MOVING PARTS HAZARD

The piston in the air motor, located behind the air motor plates, moves when air is supplied to the motor. Moving parts can pinch or amputate your fingers or other body parts. Therefore, never operate the pump with the air motor plates removed.

PARTS LIST

N°	REF.	DESCRIPTION
1	077.100.00	AIR MOTOR
2	076.000.01	TUBE
3	076.000.03	NUT
4	CAR.060	LOCKWASHER
5	075.200.00	DISPLACEMENT PUMP
6	076.000.02	TUBE
7	CPA.101	PIN
8	075.400.01	NUT
9	075.401.00	CONNECTING ROD
10	075.100.00	ADAPTER UNION
11	TIE.GR	GROUND





Nº	REF.	DESCRIPTION	Q
1	A.110.02	CAP	1
2	CJT.001	JOINT	1
3	A.210.01	CYLINDER	1
4	A.120.05	CLIP	2
5	A.220.07	SUPPORT	1
6	A.120.02	SPRING	2
7	A.120.01	ROCKER	2
8	A.220.09	POPPET	2
9	CTJ.002	SCREW	2
10	CJT.005	JOINT	1
11	A.221.00	ROD	1
12	A.122.00	STEM	2
13	A.240.01	PISTON	1
14	CPA.101	PIN	1
15	CJT.007	JOINT	1
16	CJT.006	JOINT	1
17	077.100.02	ROD	1
18	CAR.125	RING	1
19	CB2.018	BEARING	2
20	077.100.01	BASE	1
21	CTA.001	SCREW	8
22	77.130.02	PLATE	2
23	CTC.001	SCREW	12
24	A.150.02	SEAT	1
25	TIE.GR	GROUND	1
26	A.240.02	CLIP	2
27	A.120.06	NUT	4
28	A.120.10	CROMMET	2
29	A.120.08	YOKE	1
30	A.120.04	ROD	2
31	A.120.03	ROD	2
*32	075.230.01	GLAND	1

* Included in KIT.042C

Nº	REF.	DESCRIPTION	Q
*33	075.230.02	PACKINGS POLYETH	3
*34	075.230.04	GLAND	1
35	075.240.02	SPACER	3
36	075.240.05	GASKET	2
*37	075.240.03	PACKING	2
39	CTT.010	CAPSCREW	3
40	075.260.02	PIN	1
41	075.270.00	CAPSCREW	4
42	CJT.178	JOINT	3
43	075.260.03	HOUSING	1
44	075.260.01	HOUSING	1
45	075.261.00	VALVE	1
46	B.560.03	BALL GUIDE	1
47	CB0.115	BALL	1
48	075.240.04	WASHER	2
49	075.240.01	SEAT	1
50	075.240.06	WASHER	1
51	CB0.103	BALL	1
52	075.200.01	GASKET	2
53	075.200.02	CYLINDER	1
54	CJT.153	O-RING	2
55	075.210.03	CAP	1
56	CJT.154	O-RING	2
57	075.210.04	SCREW	1
58	075.210.01	ROD	1
59	075.210.02	CAP	1
60	075.400.01	NUT	1
61	075.220.02	HOUSING	1
62	075.100.00	ADAPTER UNION	1
*63	075.230.03	PACKING LEATHER	2
64	075.220.01	PACKING NUT	1
65	075.401.00	ROD	1
66	CAR.058	WASHER	4

OPERATION

The pump was tested in lightweight oil, and some oil was left in the pump to protect it from corrosion. If the oil will contaminate the fluid you are pumping, flush it out with a compatible solvent.

If the pump is not immersed, fill the packing 1/2 full with MBP packoil or a compatible solvent. Keep the cup filled at all times to help prevent the fluid you are pumping from drying on the displacement rod and damaging the throat packings.

Use an air regulator to control fluid pressure and pump speed. Always use the lowest pressure necessary to get the desired results. Higher pressures cause premature pumps wear and usually do not improve the spray pattern.

In a circulating system, the pump runs continuously and slows down or speeds up as supply demands, until the air supply is shut off.

In a direct supply system with adequate air pressure supplied to the motor, the pump starts when the gun or dispensing valve is opened, and stalls against pressure when it is closed.

If the pump accelerates quickly or is running too fast, stop it immediately. Check the fluid supply and refill it if necessary. Prime the pump to remove all air from the system, or flush the pump, relieve pressure.

MAINTENANCE

Shutdown and care of the pump

Always stop the pump at the bottom of its stroke to prevent fluid from drying on the rod and damaging the throat packings.

If you are pumping fluid which dries, hardens or sets up, flush the system with a compatible solvent as often as necessary to prevent a build up of dried fluid in the pump or hoses.

Flushing

To reduce the risk of injury from splashing or static sparking, always hold a metal part of the spray gun firmly to the side of a grounded metal pail, and use the lowest possible fluid pressure when flusing.

TROUBLESHOOTING GUIDE

PROBLEM	POSSIBLE CAUSE	SOLUTION
Pump operates, but output low on both strokes.	Restricted lines or inadequate air supply. Insufficient air pressure, closed or clogged air valves. Exhausted fluid supply. Clogged fluid line, valves, gun, etc. Fluid check valves need adjustment. Loose packing nut or worn packings.	Clear lines; increase air supply. Open; clean. Refill & reprime or flush. Clear. Adjust. Tighten; replace.
Pump operates but output low on down stroke.	Held open or worn fluid intake valve.	Clear; service.
Pump operates but output low on up stroke.	Held open or worn fluid piston packing.	Clear; service.
Erratic pump operation. Pump fails to operate.	Exhausted fluid supply. Fluid check valves need adjustment. Held open or worn fluid intake valve. Held open or worn fluid piston packing.	Refill & reprime or flush. Adjust. Clear. Clear.
Pump fails to operate.	Restricted lines or inadequate air supply. Insufficient air pressure, closed or clogged air valves. Exhausted fluid supply. Damaged air motor.	Clear lines; increase air supply. Open; clean. Refill & reprime or flush. Service.

WARRANTY

M.B.P., will any repairs necessary during the first 12 months after purchase of a new unit, with the exceptions shown under 1 and 2 below, and under the conditions shown in item 3.

- 1.- Damage caused by external abuse, customer negligence, or failure to operate the unit in accordance with the instructions supplied with the unit.
- 2.- Normal maintenance items.
- 3.- Within the first 12 months after purchase, M.B.P. will pay 100% of the cost of covered repairs.

In no case will M.B.P. liability extend beyond repair or replacement of the equipment. Such liability is limited to the amount of the original purchase price paid for the unit, minus a reasonable deduction for the time the unit has been in service. It is the responsibility of the purchaser under this warranty to ship or deliver the failed paint sprayer to the authorized service center at the purchaser's expense. Parts or components covered under this warranty may either be repaired or replaced at M.B.P. option.

Equipment not covered by M.B.P. warranty. Accessories or components of equipment sold by M.B.P. that are not manufactured by M.B.P. are subject to the warranty, if any, of their manufacturer. M.B.P. will provide purchaser with reasonable assistance in making such claims.

The Industry Department of The Basque Government, states that all electric and pneumatic airless equipment manufacture by M.B.P. S.L., follows the "CE" standards under the number 83/392/CEE.

DECLARACION DE CONFORMIDAD "CE" "EC" DECLARATION OF CONFORMITY

MODELO / MODEL TEL - 3

Este producto cumple con la siguiente directiva de la Comunidad Europea.

This Product complies with the following European Community Directive.

Directiva 2014/34/EU Atex sobre máquinas. (Ex II 2G c T6 X)

Machinery Directive 2014/34/EU Atex Directive. (Ex II 2G c T6 X)

APROBADO POR /

APPROVED BY

AITOR ORTIZ

FECHA / DATE

MBP, S.L. figura inscrita en el Registro Industrial del País Vasco con el N° 01/8030 y cumple los requisitos para el desarrollo de su actividad comercial.

MBP, S.L. is registered in the Industrial Register of the Basque Country with the N° 01/8030.

