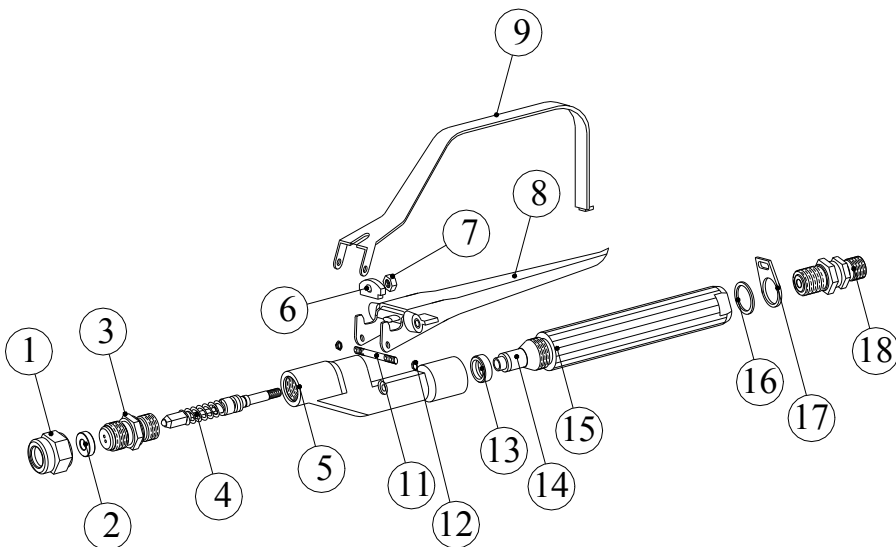


J.700 N

N°	REF.	DESCRIPTION	Q
1	J.200.09	Nut	1
2	J.200.10	Joint	1
3	J.710.00	Needle seat	1
4	J.720.00	Needle complete	1
5	J.700.01 N	Gun body	1
6	J.700.03	Cap	1
7	CTU.103	Nut	1
8	J.740.00	Trigger	1
9	J.700.08	Guard	1
11	J.700.10	Trigger pin	1
12	CTU.102	Nut	2
13	J.200.08	Seat	1
14	J.260.01	Filter	1
15	J.700.02 N	Hadle	1
16	CJT.153	O-Ring	1
17	J.700.04	Plate	1
18	J.240.00	Nipple	1



MAX. WORKING PRESSURE250 bar.
 PRODUCT INLET1/4 Gas.
 THREAD 11/16
 FOR USING WITH OUR POLES J.271 AND J.272
 WETTED PARTS: STAINLESS STEEL, ALUMINIUM , BRASS, TUNGSTEN CARBIDE AND TEFLON.
 WEIGHT0,480 Kg.
 LENGTH0,250m.

